



# Broadway Gro-Gate® INSTRUCTIONS

Conforms to EN1930:2011

F850 F853 F2025  
F851 F898 F2116  
F852 F2024

Item numbers may also end in BB.

## IMPORTANT! READ AND FOLLOW THESE INSTRUCTIONS CAREFULLY AND KEEP FOR FUTURE REFERENCE

If you sell or give away this product, make sure you give this instruction to the new owner.

### ! WARNING

**WARNING-** Incorrect installation can be dangerous.

**WARNING-** Do not use the safety barrier if any components are damaged or missing.

**WARNING-** The safety barrier must not be fitted across windows.

**WARNING-** Never use this gate without securely installed Locking Brackets and Locking Hooks.

This safety gate is for domestic use only.

This safety gate has been designed for use with children up to 24 months of age.

Never use with a child able to climb over or dislodge/open the gate.

The surfaces that the gate is to be fixed to must be suitable for the purpose and must be structurally sound.

This gate has a manual close system.

If the safety barrier is used at the bottom of the stairs, it should be positioned at the front of the lowest tread possible.

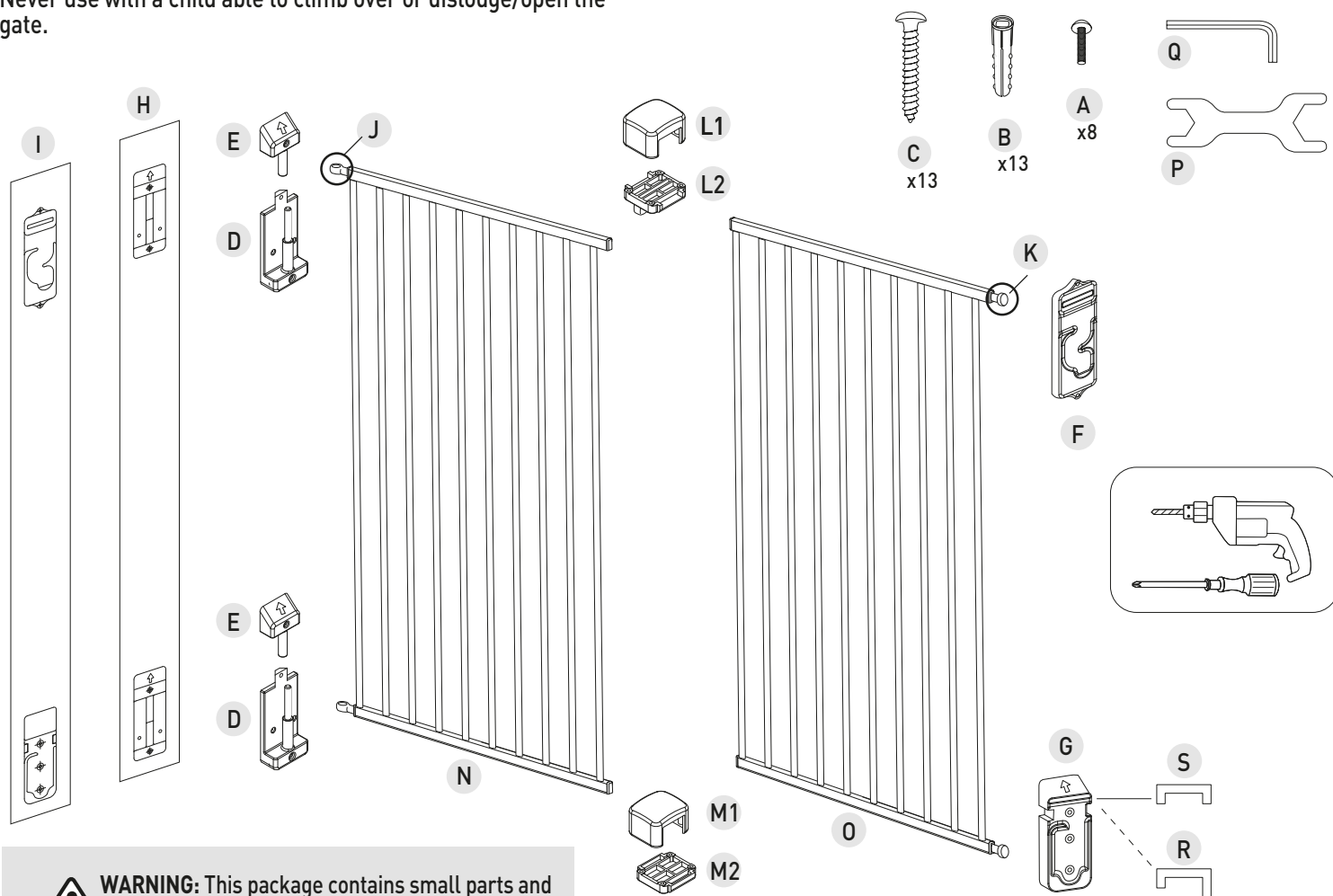
If the safety barrier is used at the top of stairs, it should not be positioned below the top level.

At the top of landing, position the gate 15cm (6in) away from the top step.

This safety gate must **NEVER** be used as a pool or pond barrier.


Never leave a child unattended.

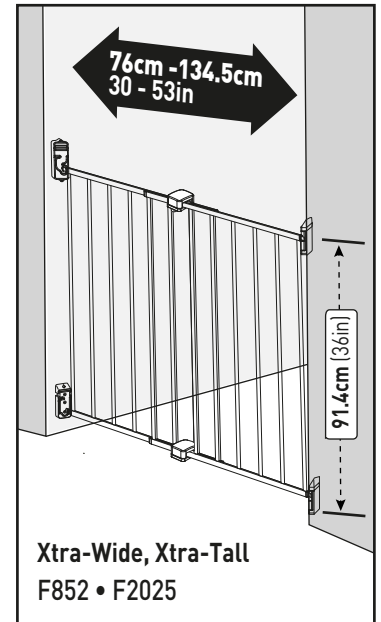
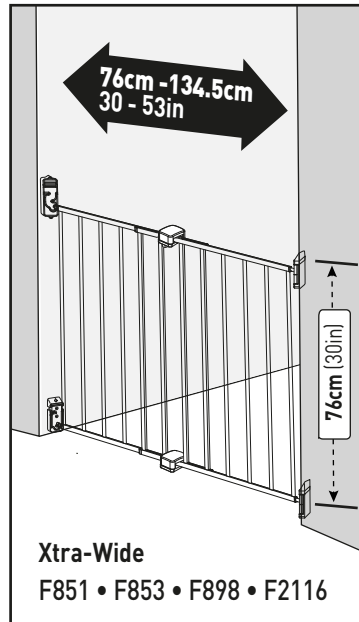
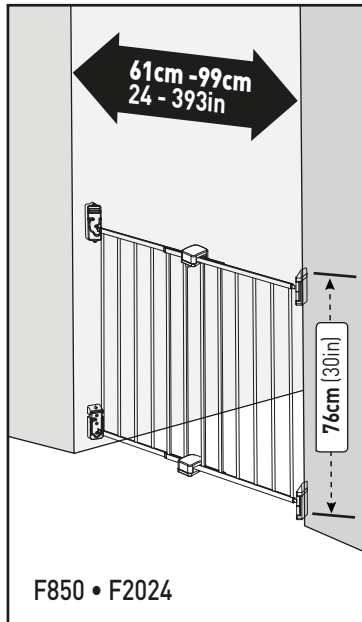
This safety gate does not replace proper adult supervision.



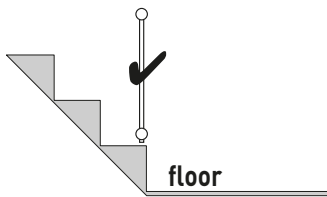
**WARNING:** This package contains small parts and sharp points in an unassembled state. Keep out of reach of children. Adult assembly required.

# INSTALLATION

 Ensure the surface you are mounting the gate to is structurally sound, such as solid timber, brick or masonry. For plaster/gyprock surfaces, locate the timber beam or stud behind the wall and mount in this location (mounting on plaster/gyprock alone is not strong enough and not safe). Do not mount to glass.

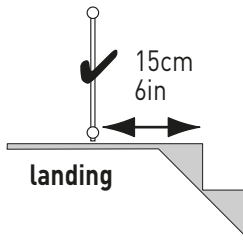


## Bottom of stairs

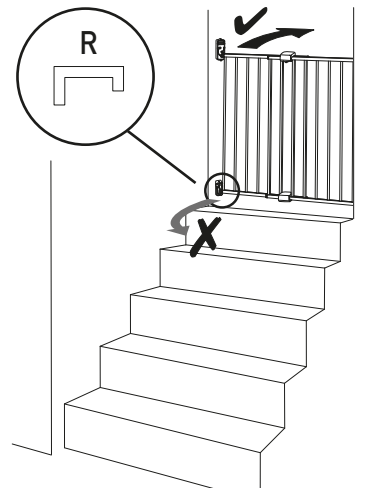


If the safety barrier is used at the bottom of the stairs, it should be positioned at the front of the lowest tread possible.

## Top of stairs

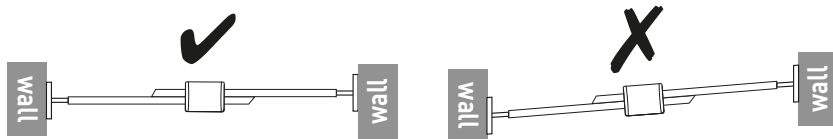


If the safety barrier is used at the top of stairs, it should not be positioned below the top level. At the top of landing, position the gate 15cm (6in) away from the top step.



When using gate at top of stairs, gate must face away from stairs.

## Top view of gate



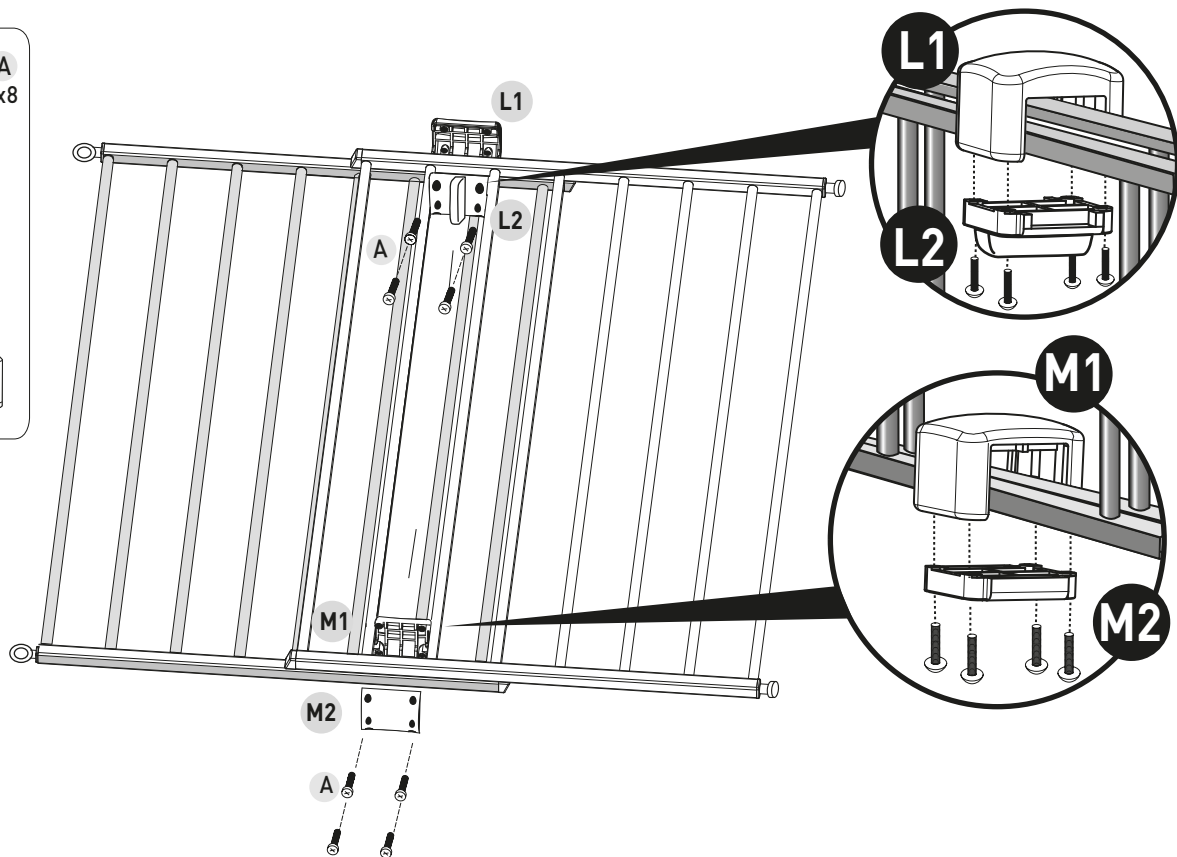
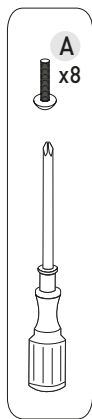
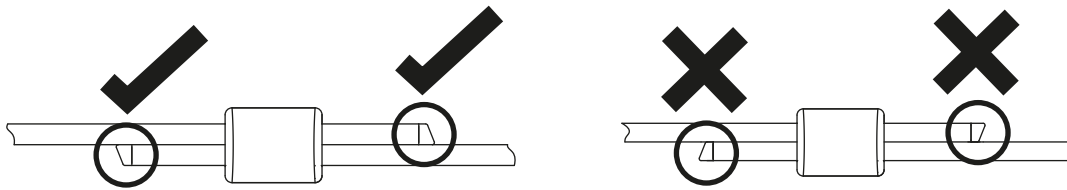
Make sure that the gate is mounted firmly and evenly in vertical position.

## Side view of gate

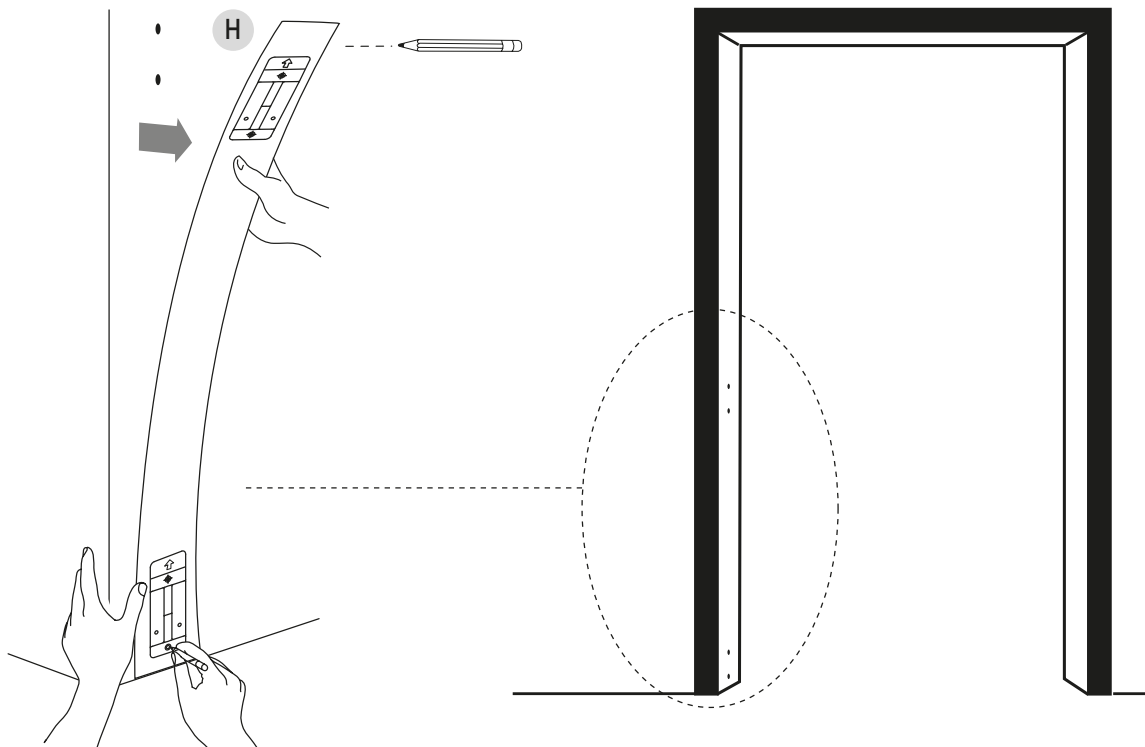


# INSTALLATION

1

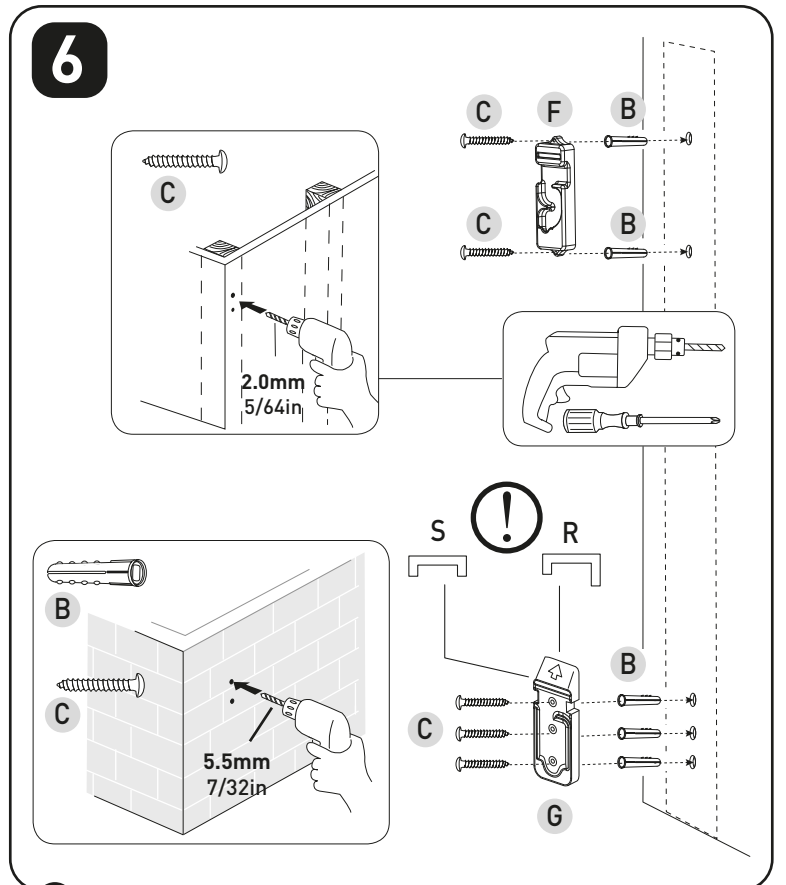
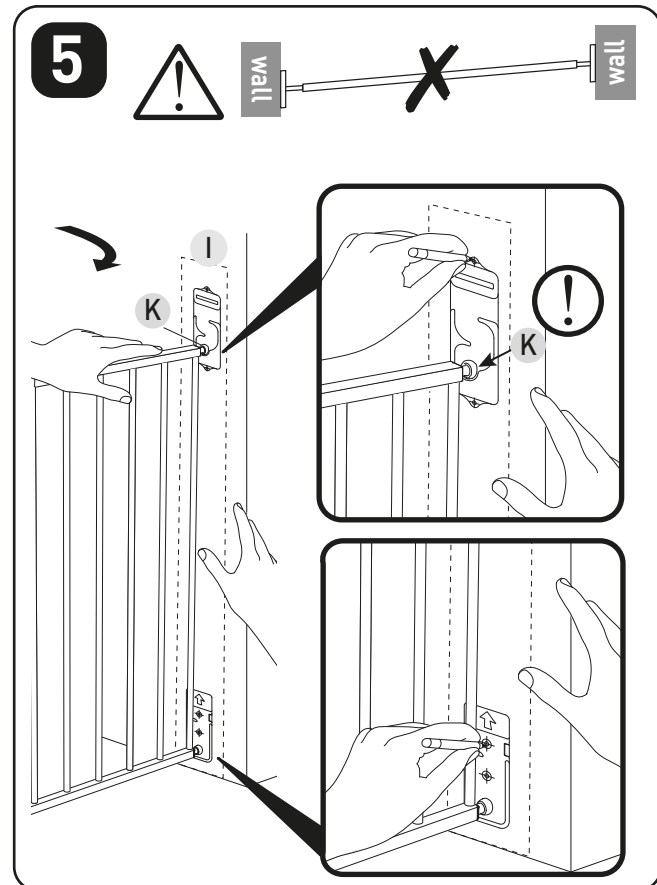
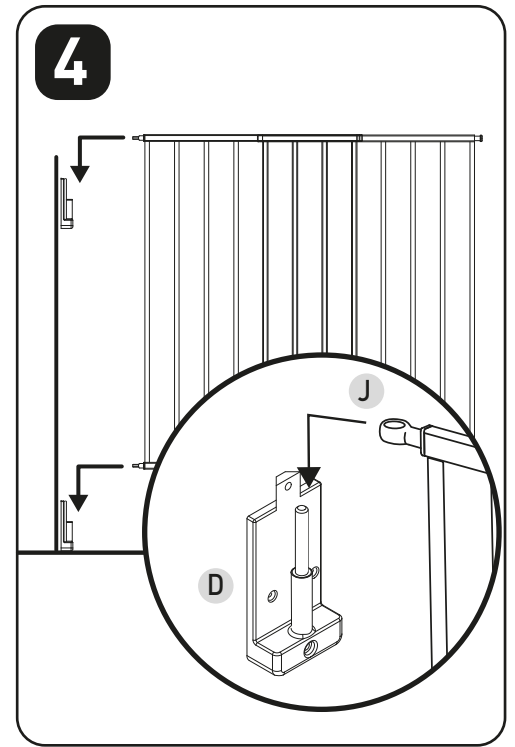
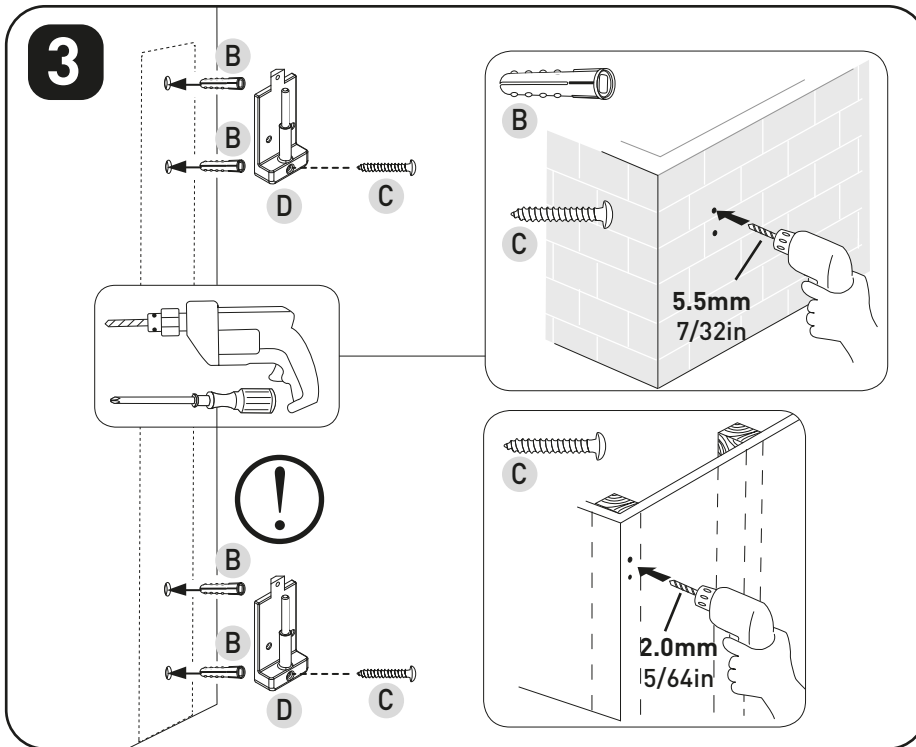


2



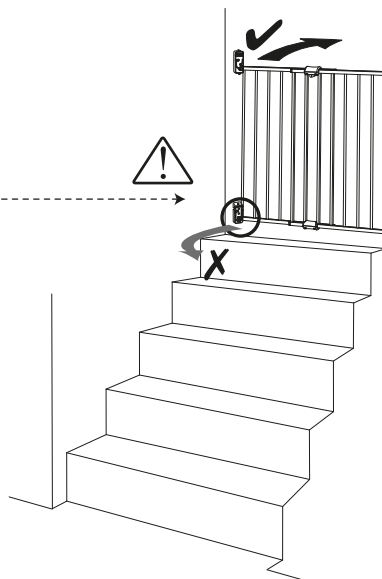
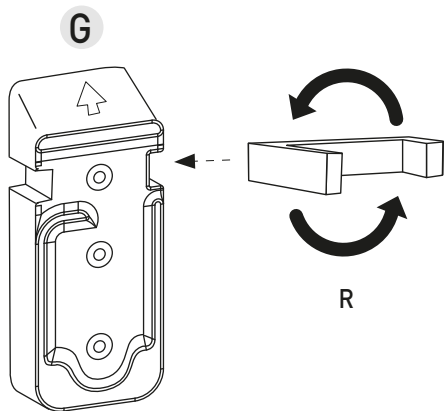
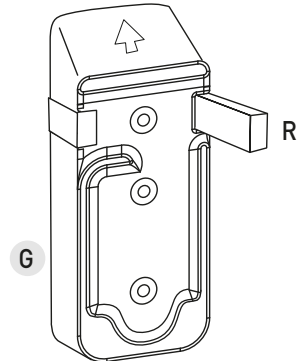
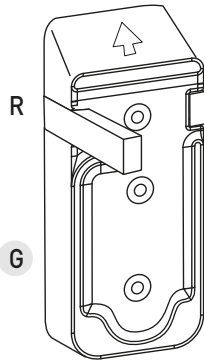
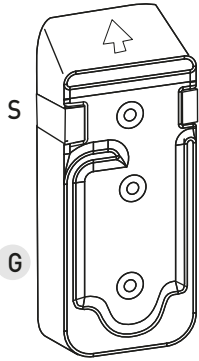
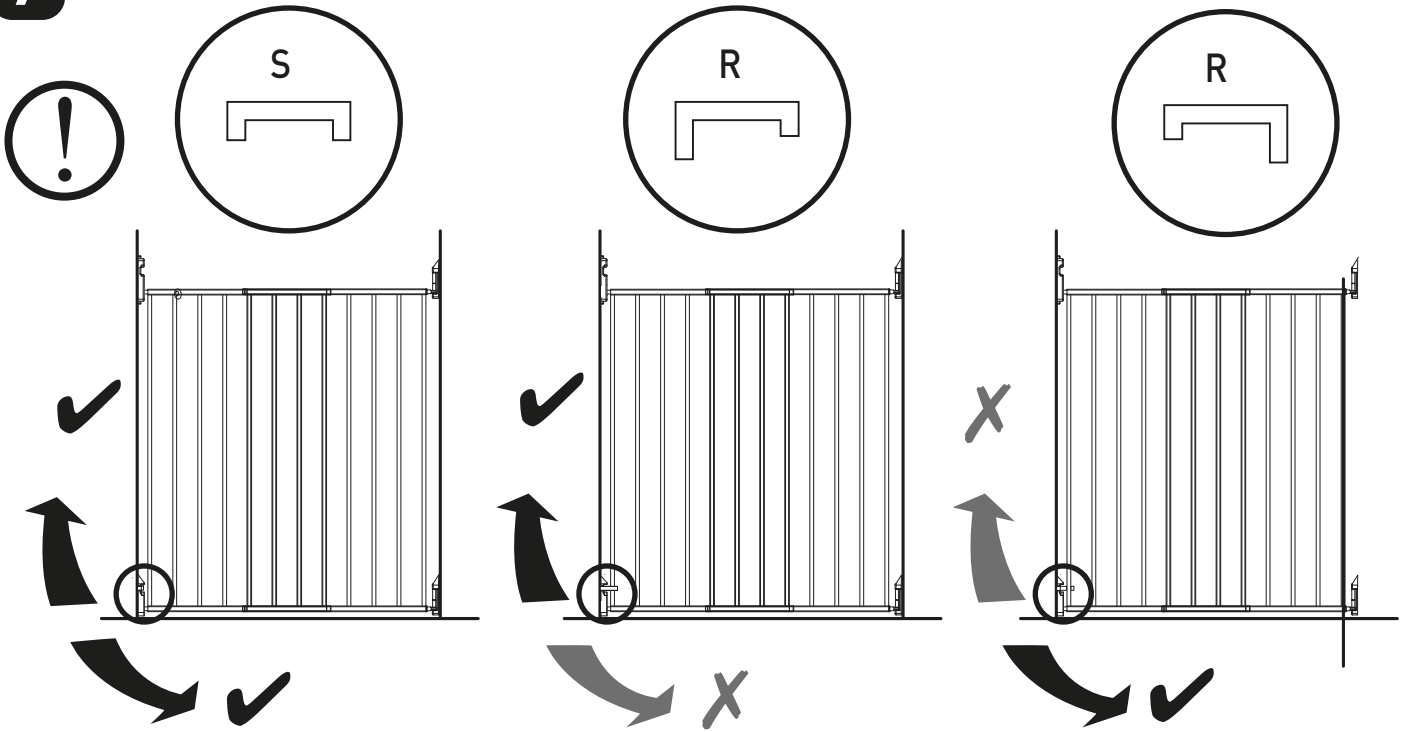
3

# INSTALLATION

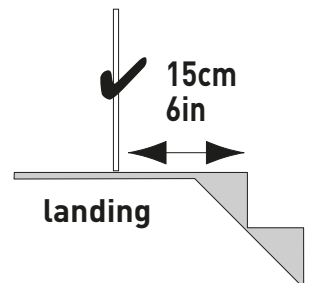


# INSTALLATION

7



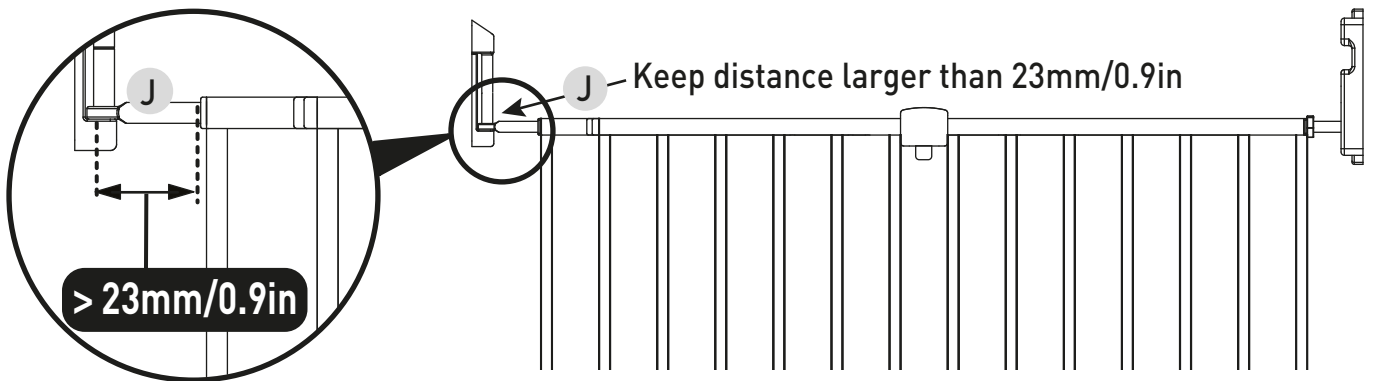
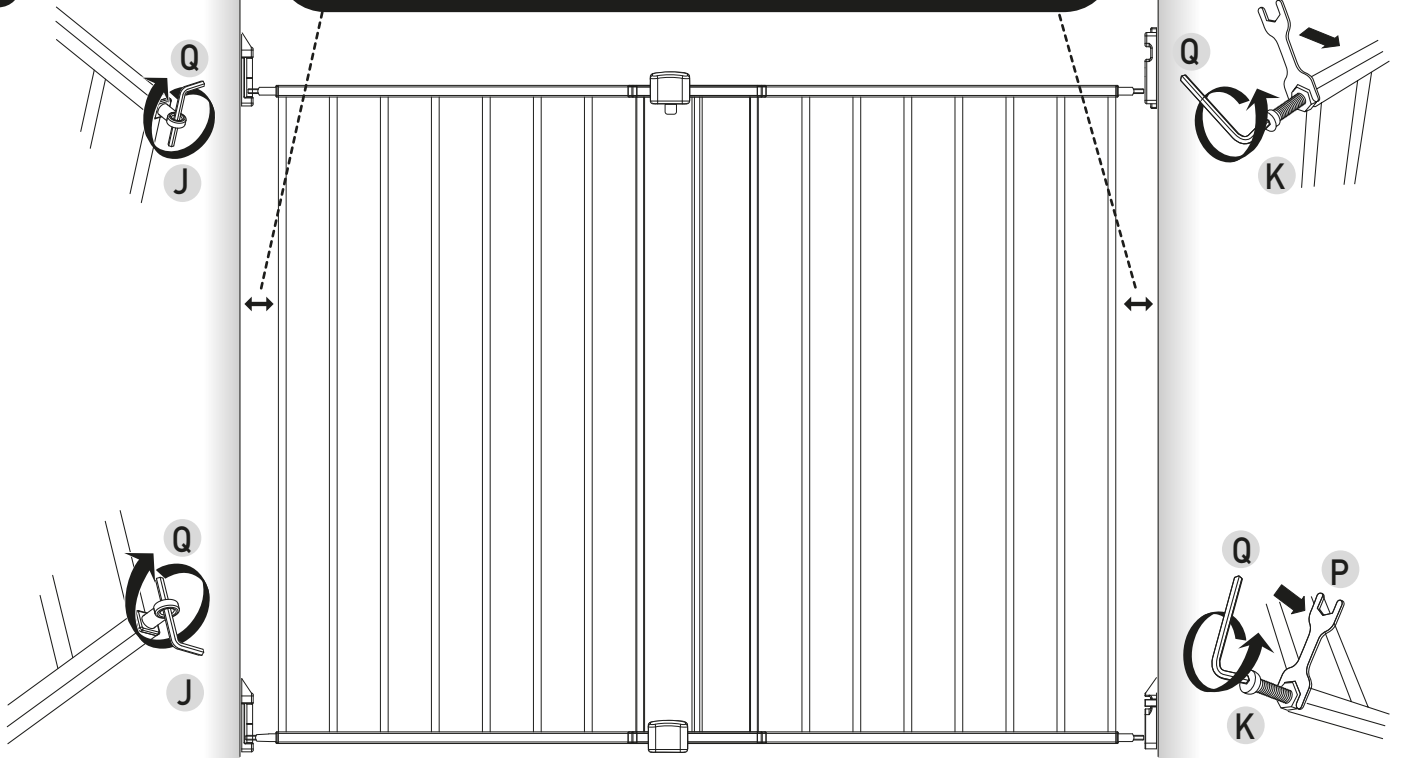
When using gate at top of stairs, gate must open away from stairs.



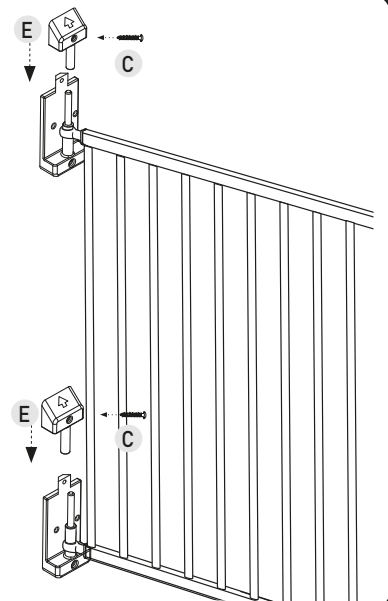
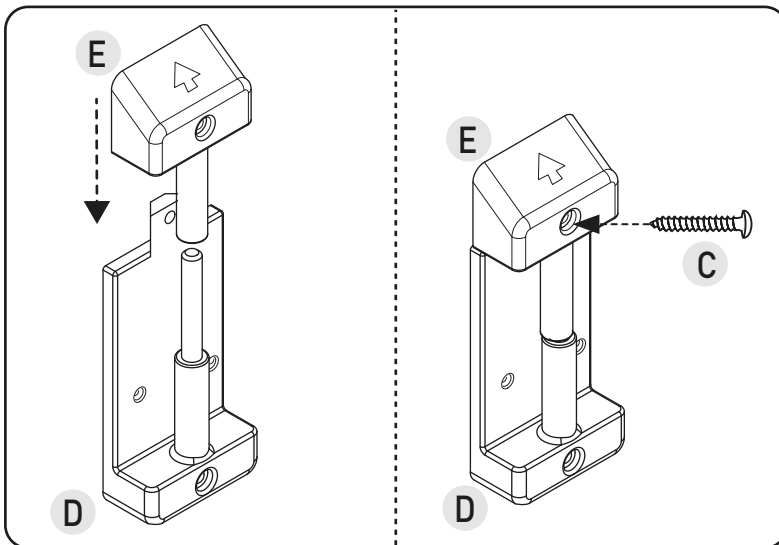
# INSTALLATION

8

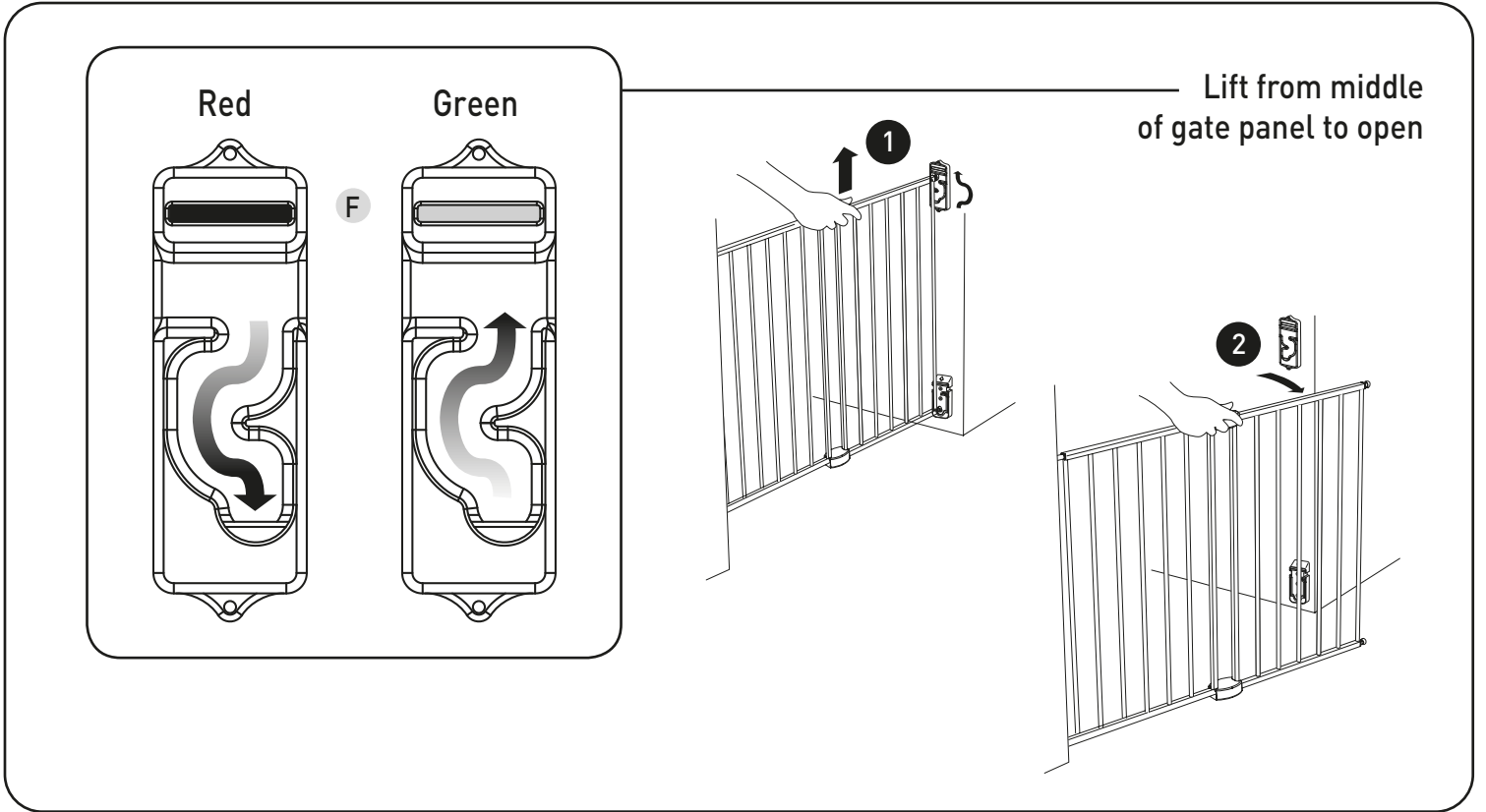
Distance to be equal



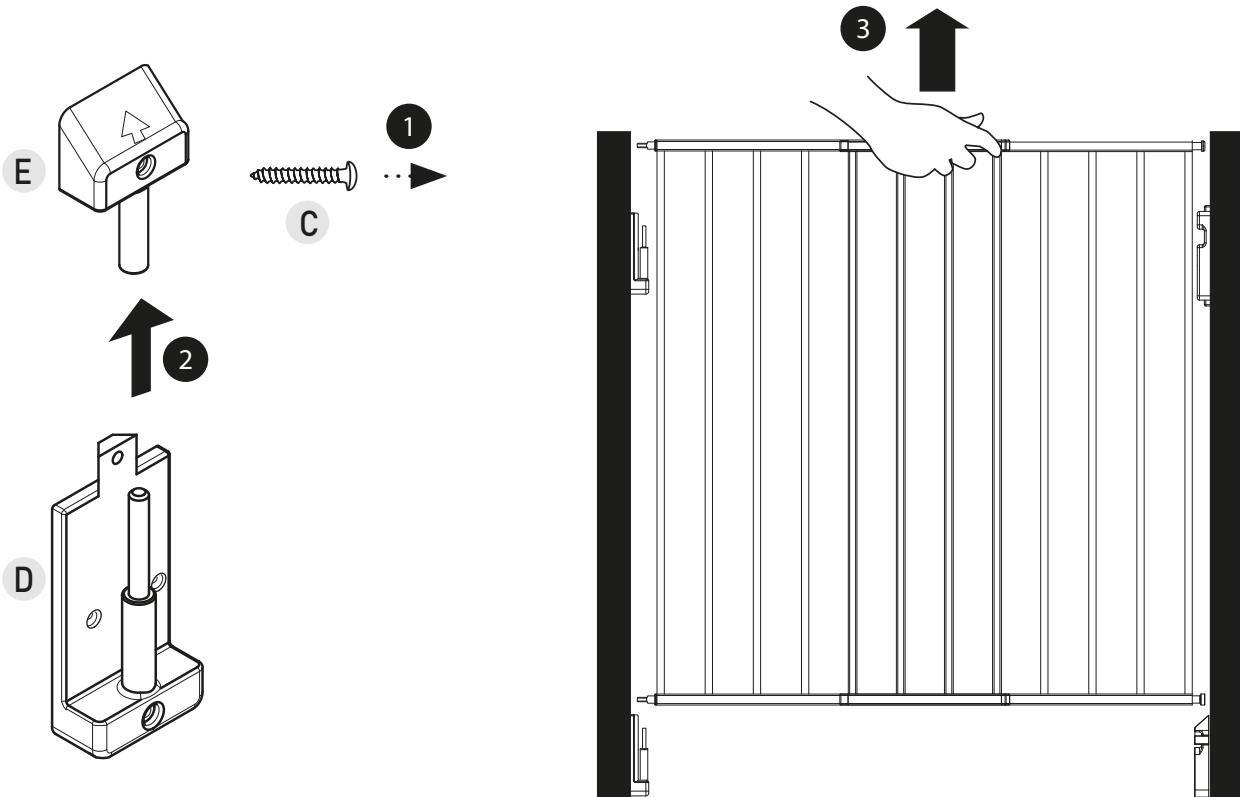
9



# TO USE



# TO REMOVE




# MAINTENANCE & CARE

- Gate must be fitted according to instructions, to ensure it works correctly.
- Regularly check gate to ensure it is fitted properly and securely. Adjust as required.
- Regularly check that brackets and hooks are securely in place.
- Do not use the safety gate if any components are damaged or missing.
- To clean, wipe surface with a damp cloth or sponge using mild detergent and warm water. Never clean with abrasive, ammonia based, bleach based or spirit type cleaners.
- Any additional and replacement parts should be obtained from Tee-Zed Products.



Tee-Zed acknowledges that its customers may be entitled to statutory consumer guarantees and does not seek to exclude or limit them. These guarantees include that Tee-Zed's products are of acceptable quality. This Tee-Zed product is for the specific purpose detailed in the instructions and packaging and Tee-Zed considers use outside of that purpose to be abnormal use. To the maximum extent permitted by law, Tee-Zed does not accept any liability for damage:

- arising from abnormal use of the products;
- caused by installation or removal of the products other than in accordance with the supplied installation and removal instructions; or
- arising under the law of tort or contract.

Dreambaby® products by 

Made in Zhejiang, China.

©2019 Tee-Zed Products Pty Ltd



Tee-Zed Products Pty Ltd,  
PO Box 2022,  
Bondi Junction NSW 1355  
**Australia**  
☎ +61 (0)2 9386 4000  
✉ info@tee-zed.com.au  
[www.dreambaby.com.au](http://www.dreambaby.com.au)

Tee-Zed Products (N.Z.) Ltd  
PO Box 64013,  
Botany Town Centre, Auckland  
**New Zealand**  
☎ +64 (0)9 274 8788  
✉ info@tee-zed.co.nz  
[www.dreambaby.co.nz](http://www.dreambaby.co.nz)

Tee-Zed Products Ltd  
PO Box 29227,  
Dunfermline, KY12 2DN  
**United Kingdom**  
☎ +44 (0)844 800 9445  
✉ info@tee-zed.co.uk  
[www.dreambaby.co.uk](http://www.dreambaby.co.uk)



[dreambabysafety](#)

[YouTube](#) [dreambabytv](#)